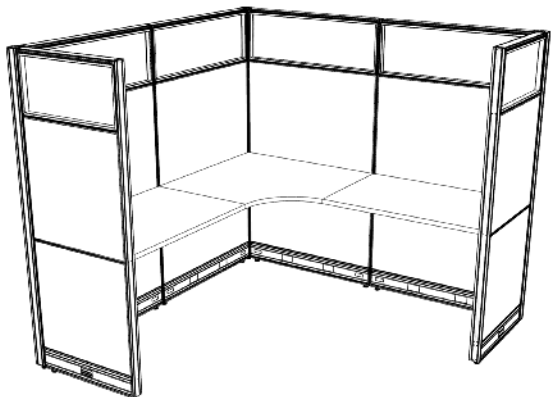
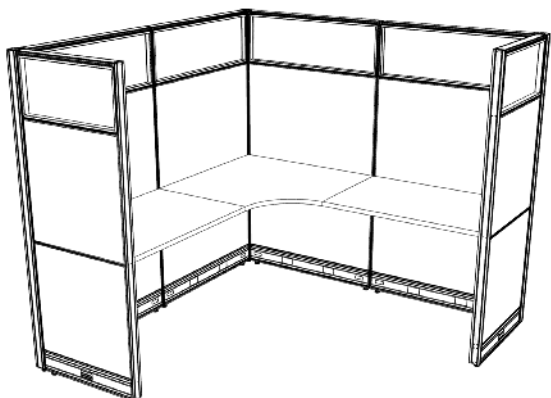


Assembly



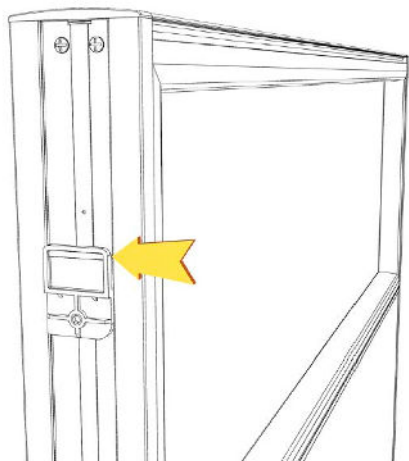
1

This procedure will assist you with assembling the Sunline Select 6'x6' 53in High Cubicle.



2

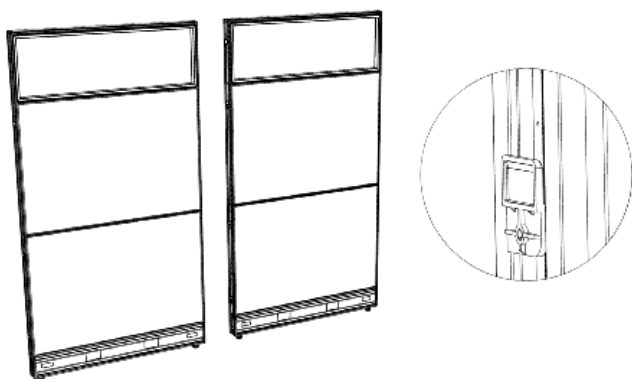
Note: This product comes in multiple sizes. The Panel sizes in this procedure may not match your product, but the assembly is the same.



3

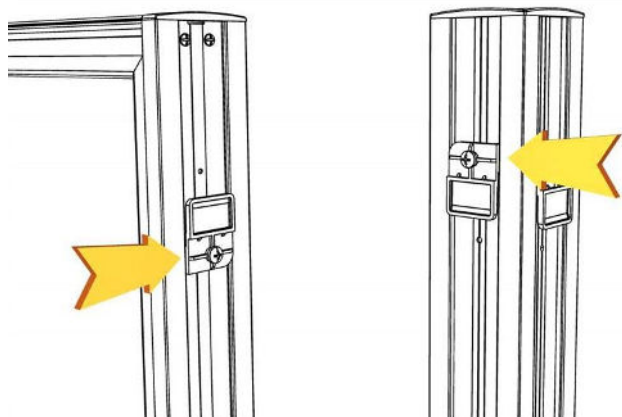
Start on (1) Panel (900mm) with all the Phoenix Clips mounted in the lower position and with the Clip opening facing up. All Panels come with the Clip facing up on one side and down on the other.

Assembly



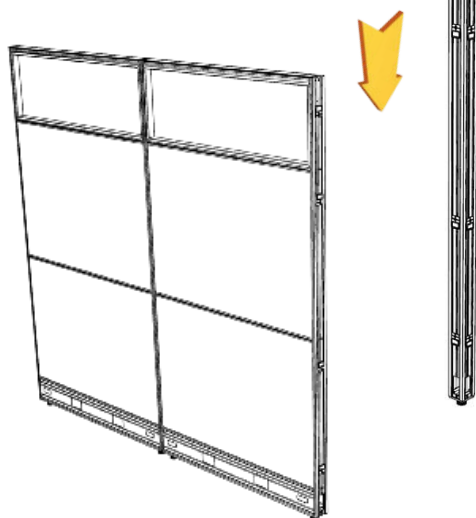
4

Attach the next Panel by lifting the Panel up so the Clips that are facing down fall into the first Panel's Clips.



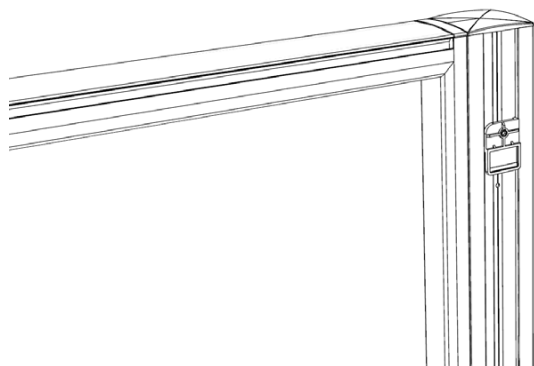
5

To change the Clip orientation, remove the top Cap of a post or Panel using a Flat-head Screwdriver. Loosen the Set Screws on the Phoenix Clips using a Phillips-head Screwdriver and slide the Clips up out of the Post or Panel. Slide the Clips back into the Post or Panel with the Clip opening either up or down. Tighten the Set Screws into the predrilled holes. Note: The lower hole is for when the Clip is facing up. The higher hole is for when the Clip is facing down



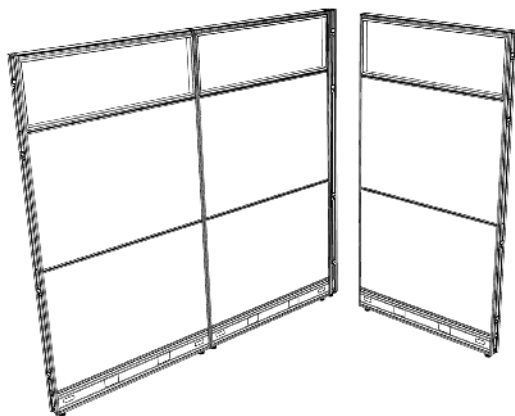
6

Attach (1) 2-Way Post by dropping it down on the previous Panel Clips.



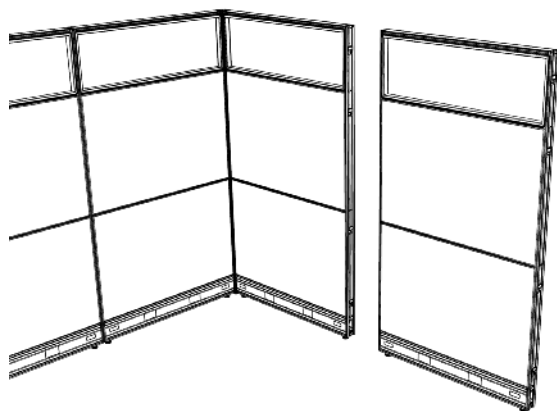
7

For this step, you may have to flip the Clip orientation on the Post.



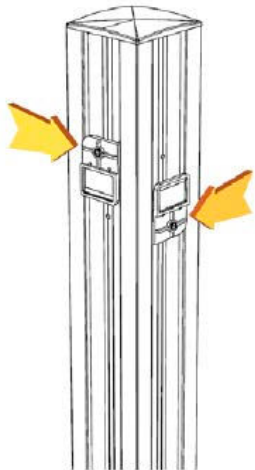
8

Attach the next Panel by lifting the Panel up so the Clips that are facing down fall into the Clips on the Post.



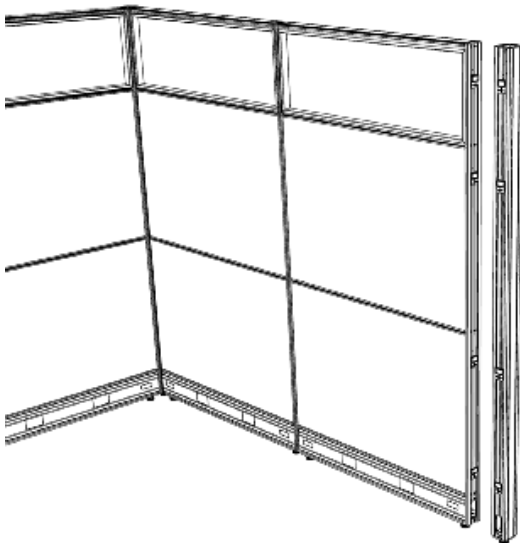
9

Attach the next Panel by lifting the Panel up so the Clips that are facing down fall into the first Panel's Clips.



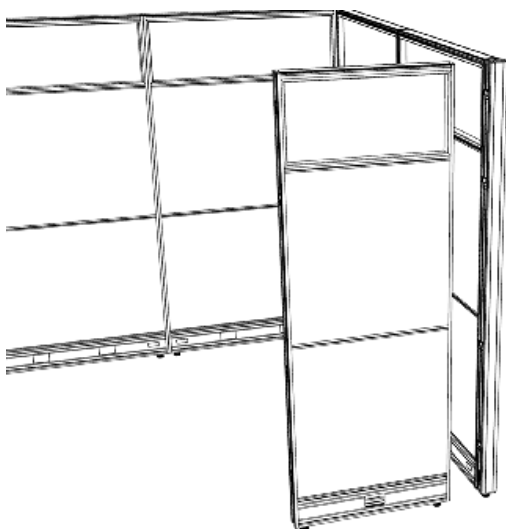
10

Change the orientation of the Clips on (1) 2-Way Post.



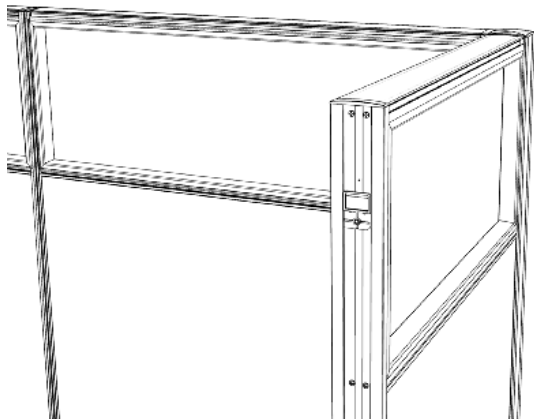
11

Attach the 2-Way Post to the Panel by lifting the Post up so the Clips that are facing down fall into the Clips on the Panel.



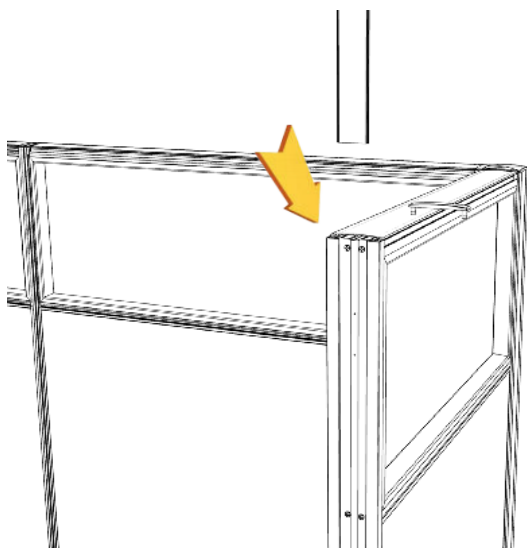
12

Attach (1) Panel (600mm) by lifting the Panel up so the Clips that are facing down fall into the Clips on the Post.



13

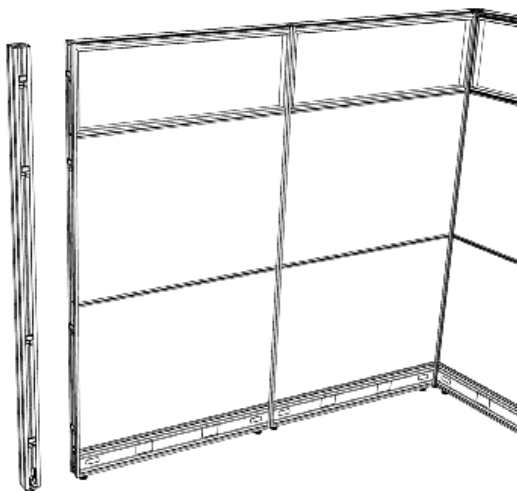
Using the Flat-Head Screwdriver, remove the End Top Trim Cap on the last Panel. Loosen the Phoenix Clip Set Screws and slide the Clips up out of the Panel.



14

Slide (1) Finished Trim piece down the Panel, then cover with the previously removed Cap.

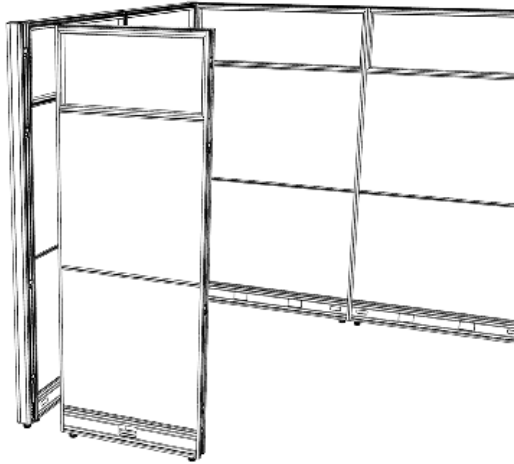
Please note: Trim piece may need to be slid into position prior to panel being installed, depending on ceiling height



15

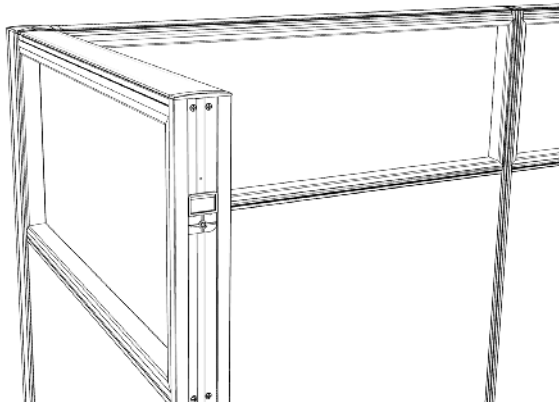
Attach (1) 2-Way Post to the Panel by lifting the Post up so the Clips that are facing down fall into the Clips on the Panel.

Assembly



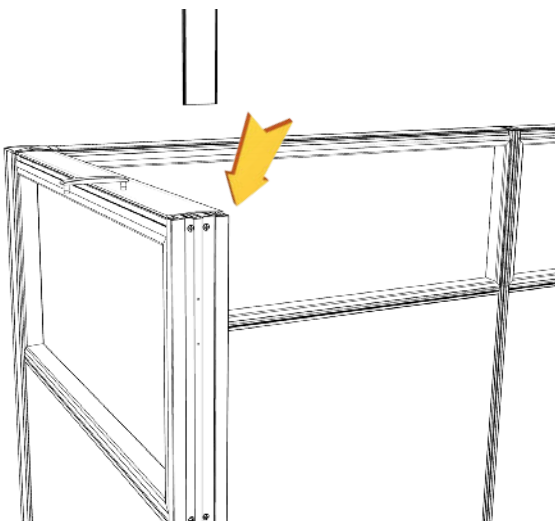
16

Attach (1) Panel (600mm) by lifting the Panel up so the Clips that are facing down fall into the Clips on the Post.



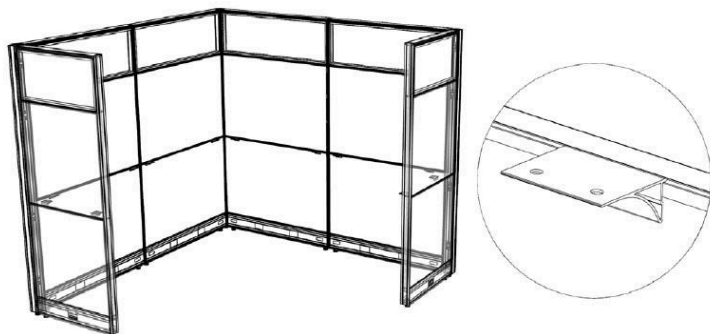
17

Using the Flat-Head Screwdriver, remove the End Top Trim Cap on the last Panel. Loosen the Phoenix Clip Set Screws and slide the Clips up out of the Panel.



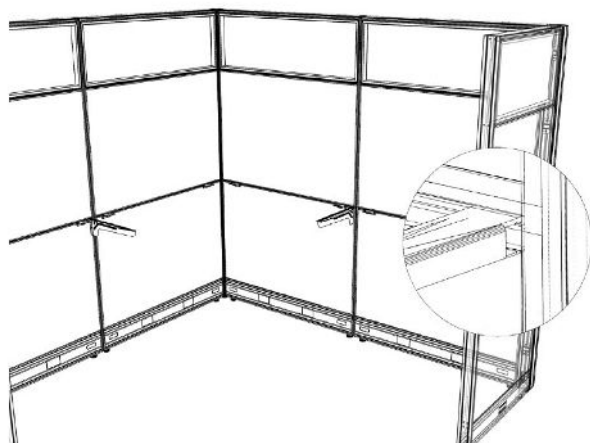
18

Slide (1) finished Trim piece down the Panel, then cover with the previously removed Cap.



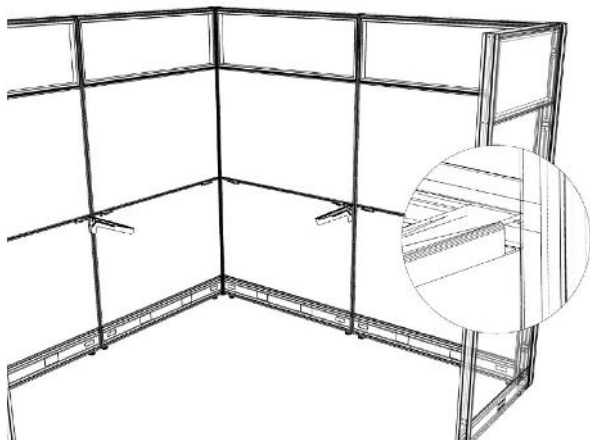
19

Place (12) Worksurface Support Clips into place in the Cubicle as shown.



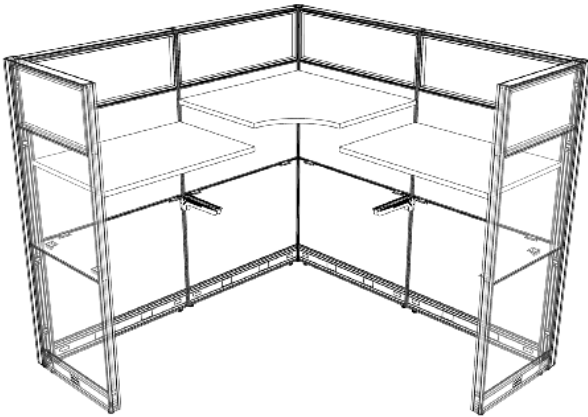
20

Place (2) Left Cantilevers into place in the Cubicle as shown.



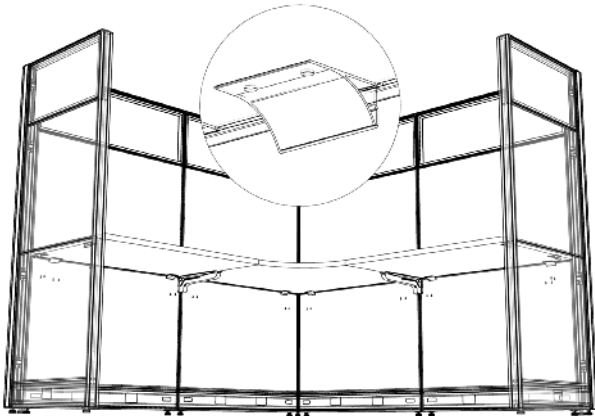
21

Place (2) Right Cantilevers into place in the Cubicle as shown.



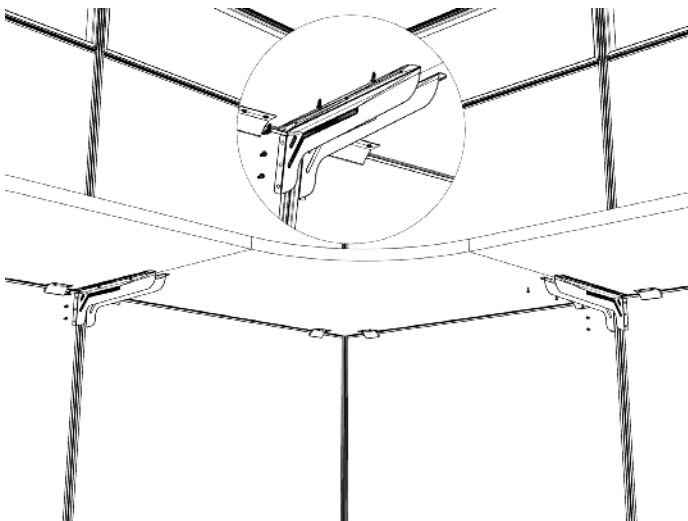
22

Place (2) Straight Worksurfaces and the Corner Worksurface onto the Support Clips as shown.



23

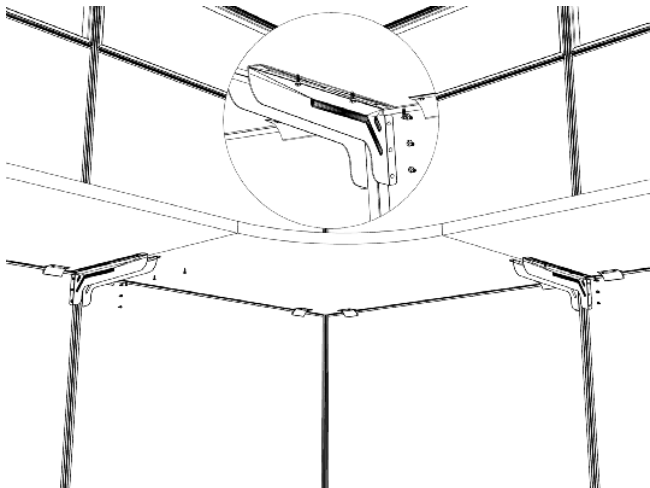
Secure the Worksurfaces to the Support Clips using (24) 3/4in Wood Screws.



24

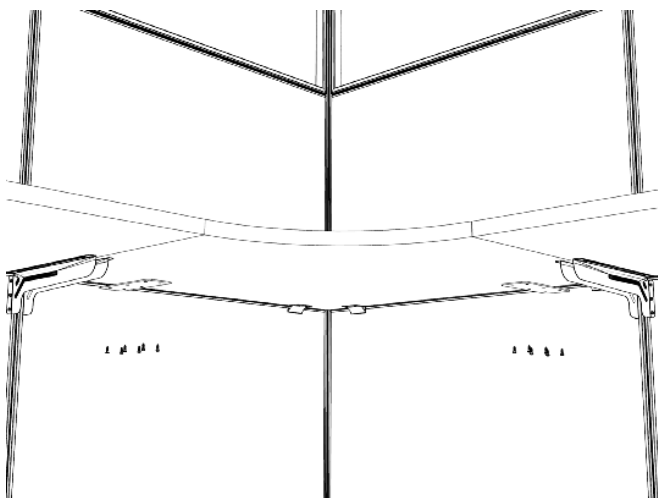
Secure the Left Cantilevers to the Straight Worksurfaces and Panels using (12) 3/4in Wood Screws.

Assembly



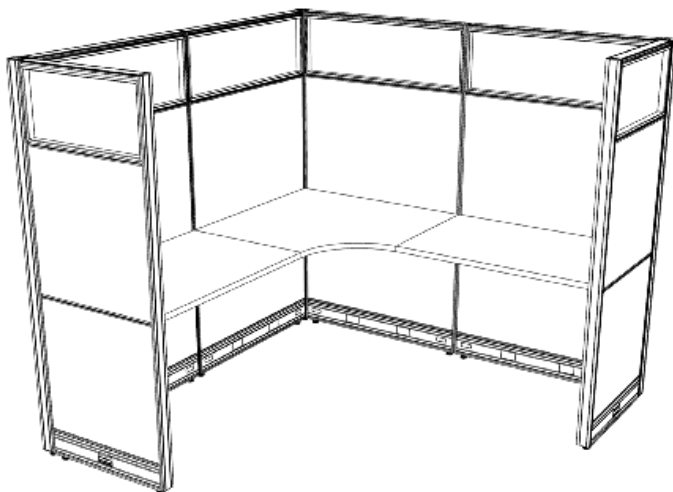
25

Secure the Right Cantilevers to the Straight Worksurfaces and Panels using (12) 3/4in Wood Screws.



26

Place (2) Flat Brackets underneath the Worksurfaces as shown and attach using (12) 3/4in Wood Screws.



27

Congratulations, this completes the assembly of the Sunline Select 6'x6' 53in High Cubicle.